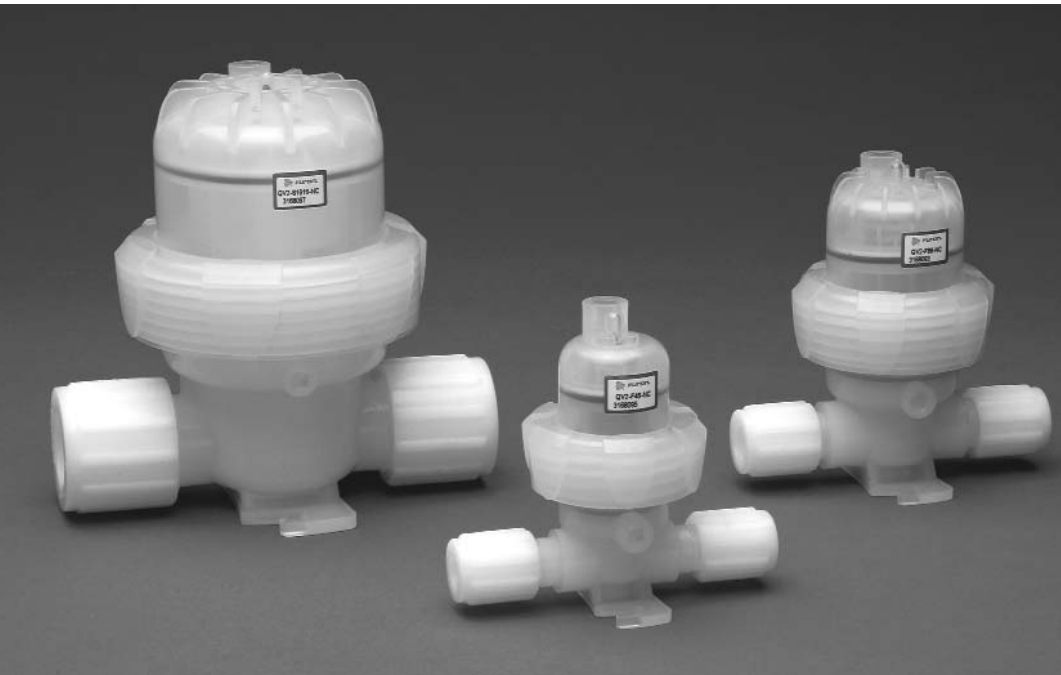


Furon® Q-Valve

Pneumatic Actuated, 2-Way Valve (1/4", 1/2", 3/4" Orifice)



Operation

The all new, injection-molded Q-Valve Product Line was developed to provide end-users with a high performance, low cost solution that insures reliable fluid delivery to critical process applications. The Q-valve offers "Drop-in" replacement capability that meets or exceeds competitive product offering's performance and function. All three Q-Valve sizes were developed to use interchangeable Pneumatic, Multi Turn and Manual 1/4 Turn actuation kits, providing unparalleled design flexibility.

Applications

The Q-Valve Product Line is ideal for applications that demand high-purity construction, combined with the smaller footprint required by cost-conscious customers. The Primary applications are high-purity chemical delivery for chip makers, chemical management, chemical processing, bio-pharmaceutical and life sciences.

Features/Benefits

- 100% PFA HP and Virgin PTFE wetted flow path
- Integrated Visual Position Indication
- Transparent actuation components
- Bi-directional flow
- Optional electronic position sensing
- Leak Detection Port (1/4-28 UNF)
- "Place and turn" integrated mounting base
- Mounting pattern and port dimensions interchangeable with major competitors
- Assembled, Tested and Double-Bagged in a Class 100 Cleanroom

Preliminary

Furon® Q-Valve

Pneumatic Actuated, 2-Way Valves (1/4", 1/2", 3/4" Orifice)

Ordering Information

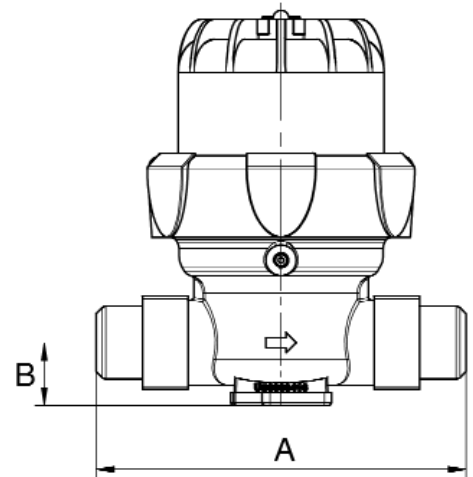
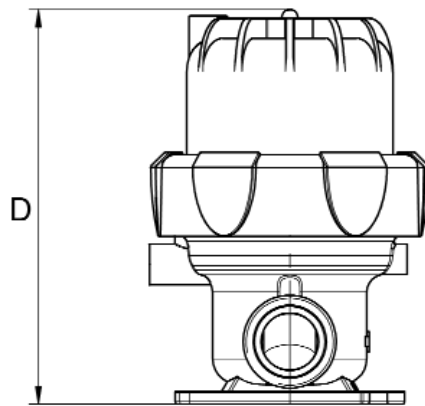
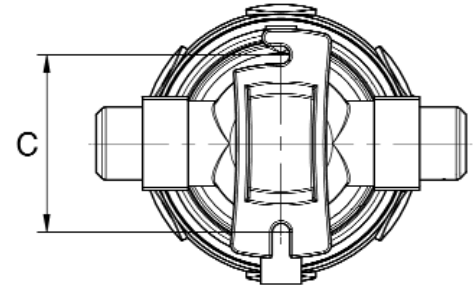
PART NO.	END CONNECTION	ORIFICE	PORT SIZE	FITTING MATERIAL	A	B	C	D
QV2-F44-NC-I	FLAREGRIP® II	1/4"	1/4"	PVDF	3.59 (91.2mm)	0.57 (10.2mm)	1.61 (44.0mm)	3.82 (97.0mm)
QV2-F46-NC-I	FLAREGRIP II	1/4"	3/8"	PVDF	4.13 (105mm)			
QV2-744-NC	FUSEBOND™	1/4"	1/4"	N/A	4.00 (101.6mm)			
QV2-144-NC	FNPT	1/4"	1/4"	N/A	2.35 (59.8mm)			
QV2-F88-NC-I	FLAREGRIP II	1/2"	1/2"	PVDF	4.48 (113.8mm)	0.73 (18.5mm)	1.85 (47.0mm)	4.64 (117.9mm)
QV2-F812-NC-I	FLAREGRIP II	1/2"	3/4"	PVDF	5.28 (134.0mm)			
QV2-788-NC	FUSEBOND	1/2"	1/2"	N/A	4.61 (117.0mm)			
QV2-7812-NC	FUSEBOND	1/2"	3/4"	N/A	5.28 (134.0mm)			
QV2-188-NC	FNPT	1/2"	1/2"	N/A	2.60 (66.0mm)	0.97 (24.6mm)	2.74 (69.5mm)	6.09 (154.0mm)
QV2-F1212-NC-I	FLAREGRIP II	3/4"	3/4"	PVDF	6.09 (154.8mm)			
QV2-F1216-NC-I	FLAREGRIP II	3/4"	1"	PVDF	5.71 (145.0mm)			
QV2-71212-NC	FUSEBOND	3/4"	3/4"	N/A	5.75 (146.0mm)			
QV2-71216-NC	FUSEBOND	3/4"	1"	N/A	5.71 (145.0mm)			

Operating Specifications

- Operating pressure: 80 PSIG (552 kPa) Maximum @ ambient
- Back pressure: 80 PSIG (552 kPa) Maximum @ ambient
- Pilot pressure: 60 PSIG (414 kPa) Minimum
100 PSIG (689 kPa) Maximum
- Pilot supply port : 1/8" FNPT
- Operating temperature: 24° C to 82° C (75° F to 182° F)
- Body: High Purity PFA
- Diaphragm: Modified PTFE
- Actuator components: Polypropylene

Standard Options

- Normally Open Version
- Dual Actuation Version
- PFA Nuts



Saint-Gobain Performance Plastics-USA

7301 Orangewood Avenue
 Garden Grove, CA 92841-1411
 Tel: (714) 630-5818
 Fax: (714) 688-2614
 USA Toll Free: (800) 833-5661

France

Tel: 33/(0) 1 55 68 59 59
 Fax: 33/(0) 1 55 68 59 68



Furon® is a registered trademark.
 FlareGrip® is a registered trademark.
 FuseBond™ is a trademark.

12-month Limited Warranty: For a period of 12 months from the date of first sale, Saint-Gobain Performance Plastics Corporation warrants this product to be free from defects in manufacturing. This company's only obligation will be to provide replacement product for any material proven to have such a defect, or at SGPPL's option, to refund the purchase price thereof. User assumes all other risks, if any, including the risk of injury, loss or damage, whether direct, consequential or incidental, arising out of the use, misuse, or inability to use this product. SAINT-GOBAIN PERFORMANCE PLASTICS DISCLAIMS ALL IMPLIED WARRANTIES OF MERCHANTABILITY AND FITNESS FOR A PARTICULAR PURPOSE. Saint-Gobain Performance Plastics reserves the right to change product specifications without prior notice.

NOTE: Saint-Gobain Performance Plastics Corporation does not assume any responsibility or liability for any advice furnished by it, or for the performance or results of any installation or use of the product or of any final product into which the product may be incorporated by the purchaser and/or user.